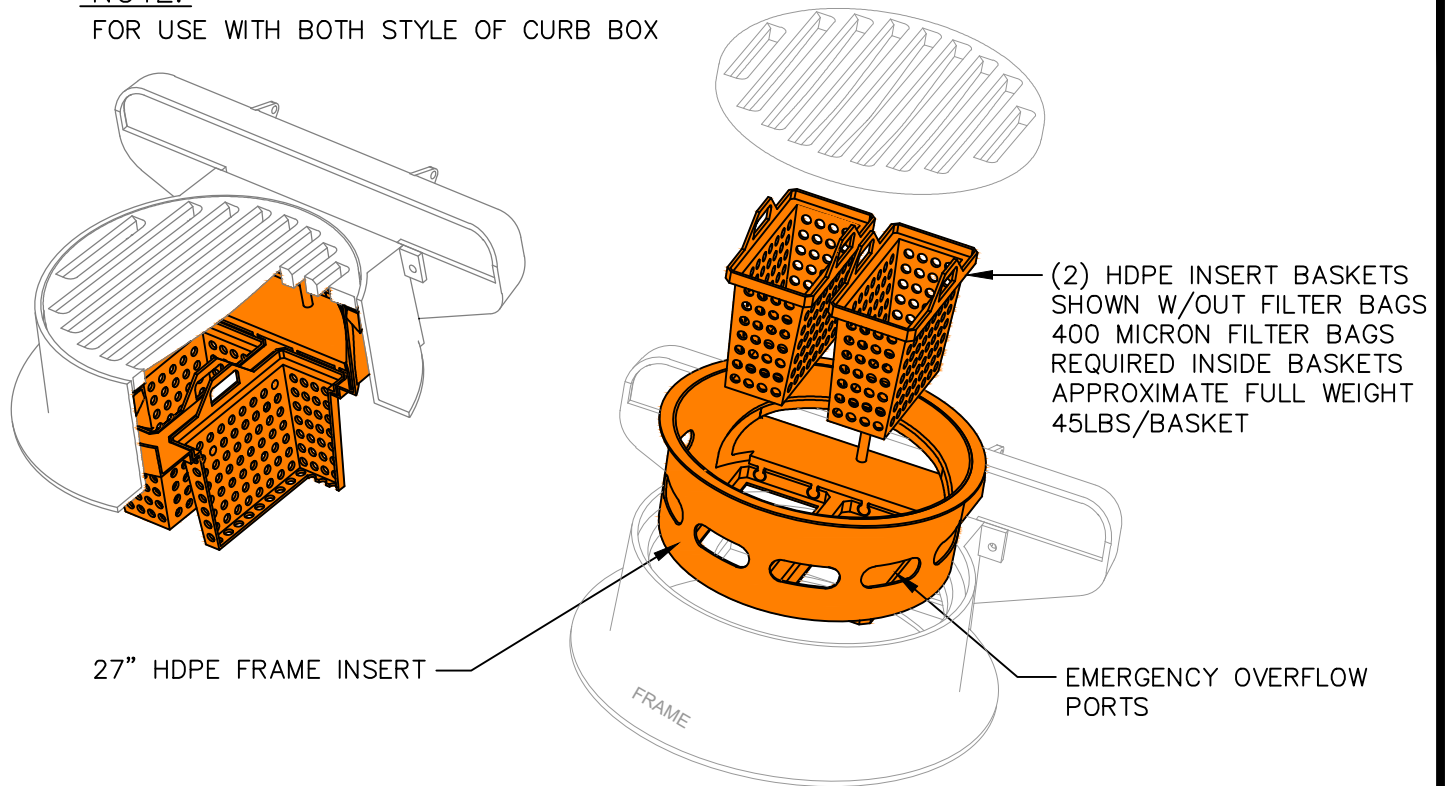


NOTE:

FOR USE WITH BOTH STYLE OF CURB BOX



MEETS MN/DOT SPECIFICATION 3891.F
 "STORM DRAIN INLET PROTECTION-FILTER BAG INSERT"
 DESIGNED FOR NEENAH R-3250-A OR R-3250-1
 (MNDOT 801) FRAME CASTING

GENERAL NOTES:

1. PRODUCT DESIGN DOES NOT INTERFERE WITH LOAD BEARING CAPACITY OF FRAMES.
2. MADE OF UV RESISTANT MATERIAL.
3. DURABLE ECO-FRIENDLY HDPE PROVIDES A LIGHTWEIGHT AND STRONG PRODUCT THAT CAN EASILY BE RE-USED NEXT PROJECT.
4. FLOW RATES COMPARE TO OR EXCEED FLOW RATES OF COMMONLY USED GRATES.
5. BASKET DESIGN PROVIDES LARGER FILTER AREA AND PROVIDES EASY CLEANING, REDUCING OVERFLOW INSTANCES AND SEDIMENT LOAD ON THE SEWER SYSTEM.
6. DESIGNED TO FIT NEENAH R-3250-1 (Mndot 801).

FILTER AREA	5.65 FT ²
OVERFLOW AREA	0.42 FT ²
MAXIMUM OVERFLOW RATE (@ 7" HEAD)	1.99 CFS
MAXIMUM OVERFLOW RATE (@ 13" HEAD)	2.79 CFS
BASKET WEIGHT (EMPTY)	1 LB
BASKET WEIGHT (FULL-APPROX.)	45 LBS



City of Coon Rapids
 11155 Robinson Drive
 Coon Rapids, MN 55433-3761
 Tel: 763-755-2880
 Fax: 763-767-6491
 www.coonrapidsmn.gov

INFRASAFE 27" DIA. INLET PROTECTION DEVICE

DRAWN: R.L.S.

DATE: 3/4/2019

SCALE: NONE

PLATE NO. EC-1