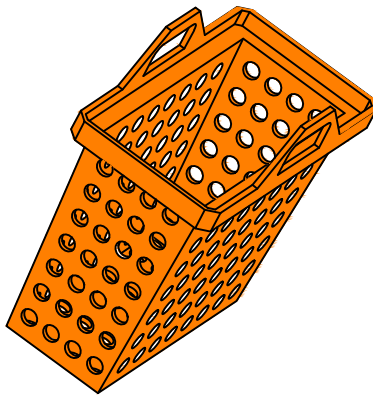
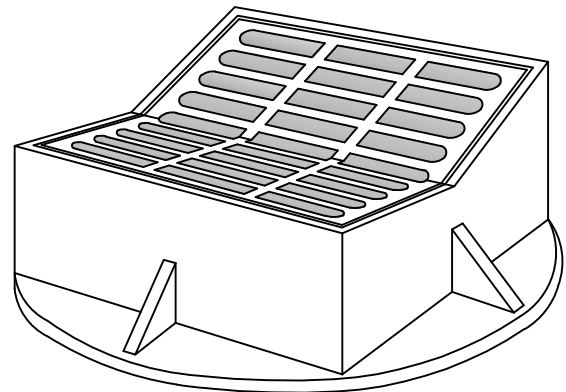


INDIVIDUAL BASKET FOR EASE OF MAINTENANCE,
APPROXIMATE FULL WEIGHT 45LBS/BASKET

REUSABLE 400 MICRON FILTER BAG



INFRA SAFE BASKET FOR 25"
DEBRIS COLLECTION DEVICE



R-3508-A2 CASTING

GENERAL NOTES:

1. PRODUCT DESIGN DOES NOT INTERFERE WITH LOAD BEARING CAPACITY OF FRAMES.
2. MADE OF STEEL.
3. DURABLE STEEL PROVIDES A STRONG PRODUCT THAT CAN EASILY BE RE-USED ON NEXT PROJECT.
4. FLOW RATES COMPARE TO OR EXCEED FLOW RATES OF COMMONLY USED GRATES.
5. BASKET DESIGN PROVIDES LARGER FILTER AREA AND PROVIDES EASY CLEANING, REDUCING OVERFLOW INSTANCES AND SEDIMENT LOAD ON THE SEWER SYSTEM.
6. DESIGNED TO FIT NEENAH R-3508-A2 AND R-3508-C.

FILTER AREA	5.65 FT ²
OVERFLOW AREA	0.42 FT ²
MAXIMUM OVERFLOW RATE (@ 7" HEAD)	1.99 CFS
MAXIMUM OVERFLOW RATE (@ 13" HEAD)	2.79 CFS
BASKET WEIGHT (EMPTY)	1 LB
BASKET WEIGHT (FULL-APPROX.)	45 LBS